

3PC Ball Valve 1500/2000PSI (ISO 5211) – S36

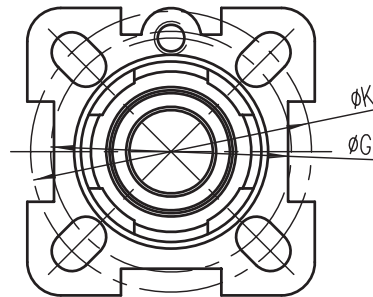
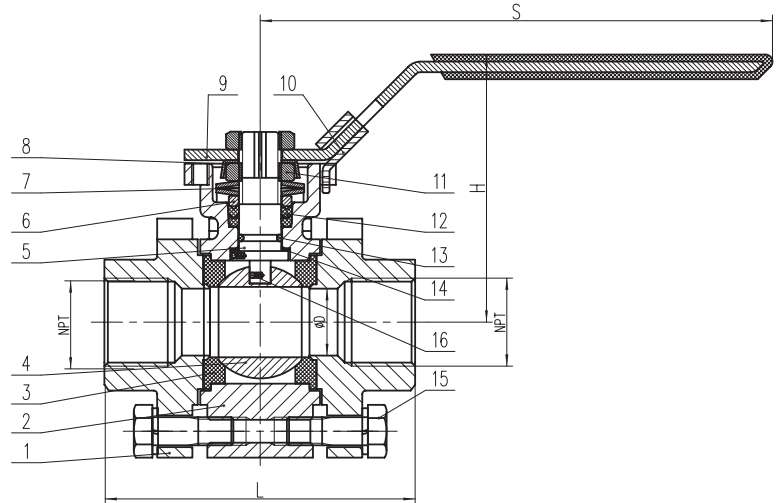


Features

- 1500/2000PSI
- ISO 5211 Pad
- Investment Casting
- Blow-out proof stem
- Full Bore
- Locking Device handle
- Working Temperature: -25 ~180°C
- Medium: Water, Oil, Gas
- Material: 304, 316, 1.4308, 1.4408, CF8, CF8M
- Thread: ASME B1.20.1 BS21.DIN2999/259, ISO228-1, JIS B 0203, ISO7/1

Main Part Material

No.	Name	Material
1	Bonnet	CF8/CF8M/WCB
2	Body	CF8/CF8M/WCB
3	Seat	RPTFE
4	Ball	SS304/316
5	Stem	SS304/316
6	Washer	304
7	Spring Washer	304
8	Stem Nut Lock	304
9	Handle	SS201/304
10	Lock	SS301/304
11	Stem Nut	304
12	V Type Packing	PTFE
13	O-ring	VITON/FKM
14	Stem Thrust	PTFE
15	Bolt	304
16	Anti-Static device	304



Dimension:(mm)

SIZE	D	L	H	S	G	K
1/2"	14	74	72	145	F03	F04
3/4"	19	84	77	145	F03	F04
1"	24	90	82	166	F04	F05
1-1/4"	32	110	86	166	F04	F05
1-1/2"	36	120	106	206	F05	F07
2"	49	140	114	206	F05	F07