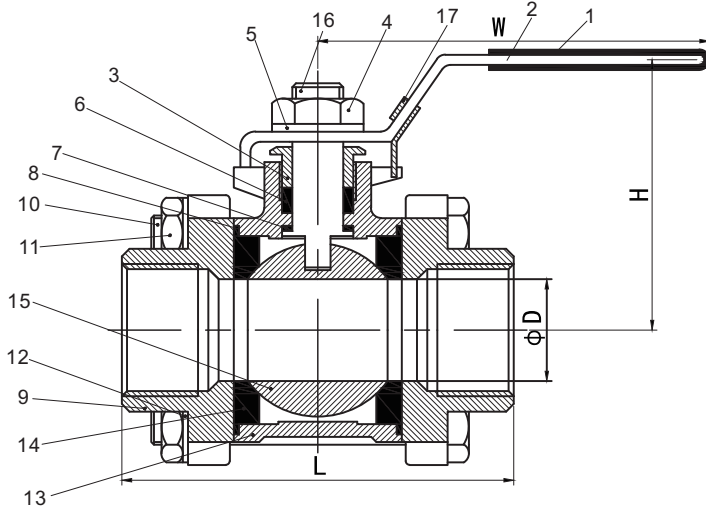


3PC DIN3202-M3 Length Ball Valve - S32



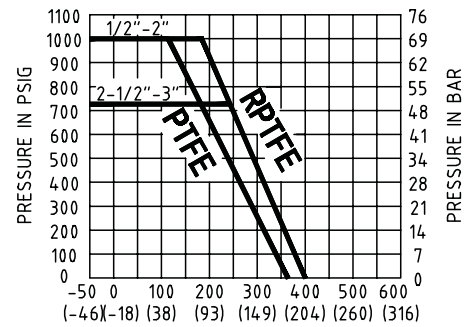
Dimension:(mm)

SIZE	D	L	H	W	w
1/4"	11.6	55	64	103	19
3/8"	12.7	60	64	103	21
1/2"	15	75	64	103	26
3/4"	20	80	73	103	31
1"	25	90	89.2	135	38
1-1/4"	32	110	94.5	135	47
1-1/2"	38	120	119.5	182	54
2"	50	140	128.5	182	66
2-1/2"	64	185	140	260	84
3"	76	205	147	260	99
4"	94	240	172	400	128

Features

- 1000PSI
- Investment Casting
- Blow-out proof stem
- Full Bore
- Locking Device handle
- Length confirm to DIN 3202/4-M3
- Medium: Water, Oil, Gas
- Material: 304, 316, 1.4308, 1.4408, CF8, CF8M
- Thread:ASME B1.20.1 BS21.DIN2999/259,ISO228-1,JIS B 0203,ISO7/1

Pressure Vs Temperature Chart



Main Part Material

No.	Name	Material
1	Handle Sleeve	PVC
2	Handle	304
3	Gland Nut	304
4	Stem Nut	304
5	Stem Washer	304
6	Stem Packing	PTFE
7	Thrust Washer	PTFE
8	Gasket	PTFE
9	End Cap	CF8/CF8M
10	Bolt	304
11	Nut	304
12	Spring Washer	304
13	Body	CF8/CF8M
14	Ball seat	RPTFE
15	Ball	CF8/CF8M
16	Stem	304/316
17	Locking device	304