

2PC Ball Valve M/F - S34

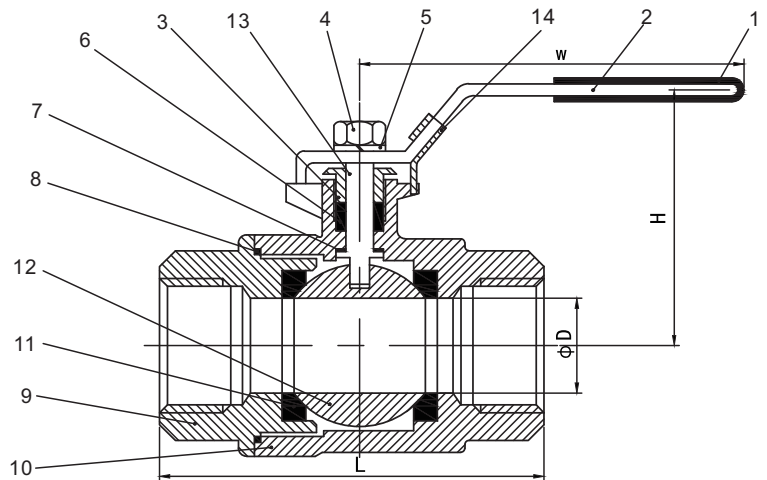


Features

- 1000PSI
- Investment Casting
- Blow-out proof stem
- Full Bore
- Locking Device handle
- T Handle (Option)
- Working Temperature: -25 ~180°C
- Medium: Water, Oil, Gas
- Material: 304, 316, 1.4308, 1.4408, CF8, CF8M
- Thread: ASME B1.20.1 BS21.DIN2999/259, ISO228-1, JIS B 0203, ISO7/1

Main Part Material

No.	Name	Material
1	Handle Sleeve	PVC
2	Handle	201/304
3	Gland Nut	304
4	Stem Nut	304
5	Spring Washer	304
6	Stem Packing	PTFE
7	Thrust Washer	PTFE
8	Joing Gasket	PTFE
9	Cap	CF8/CF8M
10	Body	CF8/CF8M
11	Ball Seat	PTFE/RPTFE
12	Ball	CF8/CF8M
13	Stem	304/316



Dimension:(mm)

SIZE	D	d	L	H	W
1/4"	11.6	8	55	48	91
3/8"	12.5	11.4	55	48	91
1/2"	15	13.6	71.5	52	91
3/4"	20	18.2	78	61	111
1"	25	23	91	65	111
1-1/4"	32	32	100	79	154
1-1/2"	38	38	112	83	154
2"	50	48	142	97	192