



# S098

**2 Pieces Flanged Full Port  
Ball Valve with ISO 5211  
Direct Mount Pad**

CF8M

## 2 Pieces Flanged Full Port Ball Valve with ISO 5211 Direct Mount Pad CF8M



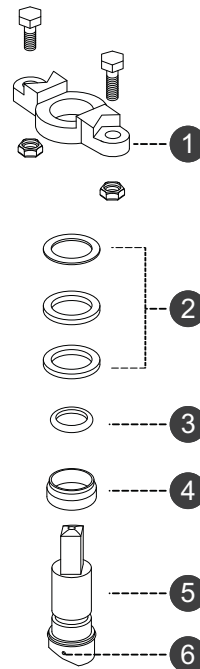
### DESIGN FEATURE

1. Full port ball valve, 2 pieces.
2. Flanged ends according to ASME B 16.5. ANSI Class 150.
3. Made of Stainless Steel CF8M.
4. Design according to ASME B 16.34.
5. Face to Face according to ASME B 16.10.
6. Ball seats PTFE + 15 % G.F.
7. Body gasket: PTFE
8. Blow-out proof stem.
9. Bare Shaft( Stem)
10. Direct mounting actuator acc. to ISO 5211.
11. Antistatic device.
12. Inspection & Testing: API 598
13. Max. working pressure 285 psi
14. Working Temperature  $-30^{\circ}\text{C} + 180^{\circ}\text{C}$ .

### High Cycle Stem Design Features

Three stages of stem sealing for effective control of stem leakage:

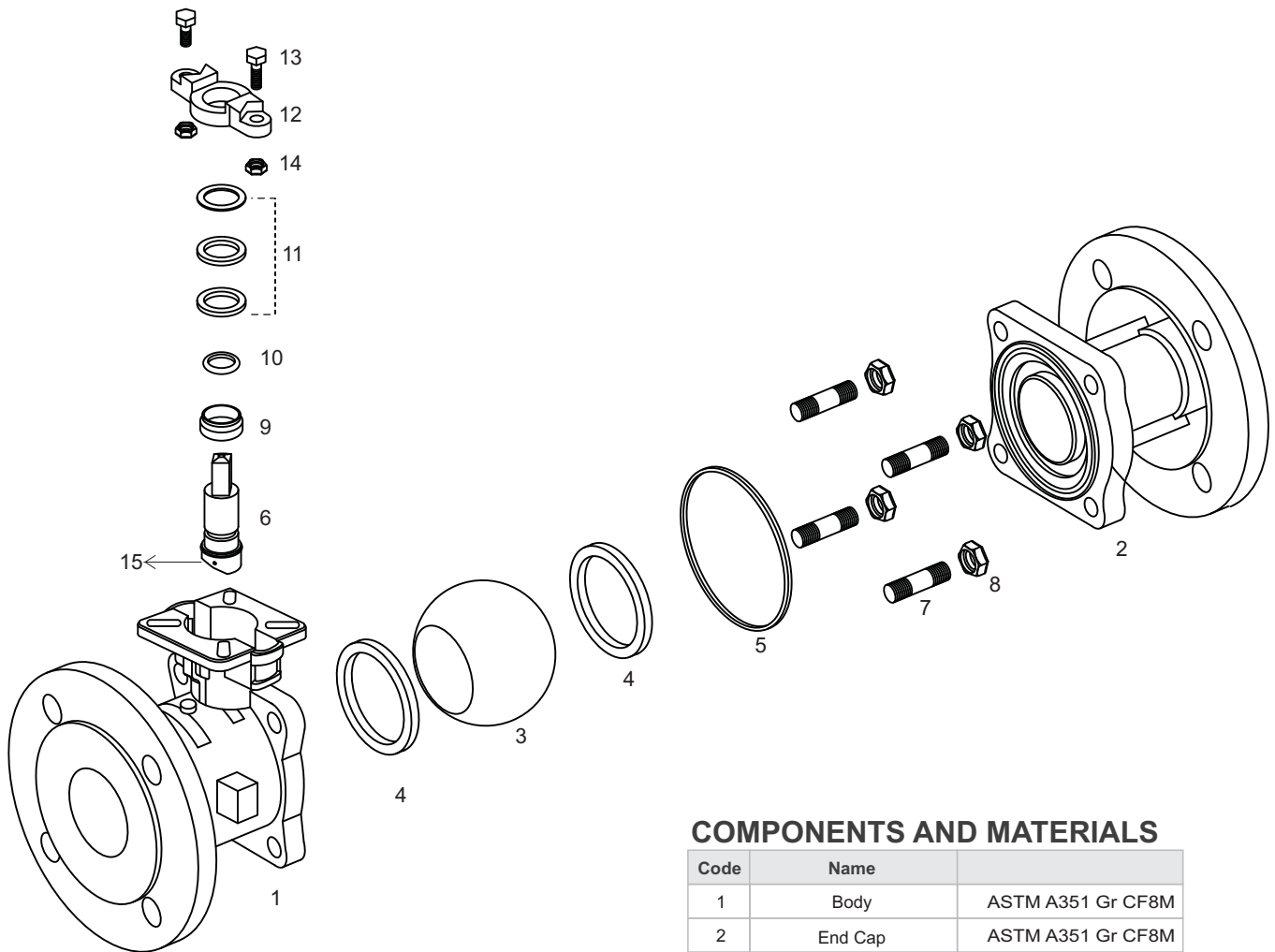
- **Pyramidal Body and Stem Seal (1st Stage):** Internal pressure of the valve pushes the pyramidal stem sealing upward. Because of its shape, the sealing expands to fill all the air pockets that might become a potential leakage path in the lower stem area.
- **Viton® O-Ring (2nd Stage):** The elastic nature of the Viton® O-Ring serves as an effective sealing for gaseous medium that might escape the 1st stage sealing.
- **V-Ring Stem Packing (3rd Stage):** Live loading action of the Bellville washer expands the V-Ring stem packing, filling all the air pockets in the outer stem area. It effectively seals internal media within as well as keeping external media from entering the system



### PARTS

1. Gland
2. V-Ring Stem Packing
3. O-Ring
4. Pyramidal Stem Seal
5. Stem
6. Anti-Static Device

**2 Pieces Flanged Full Port Ball Valve  
with ISO 5211 Direct Mount Pad CF8M**

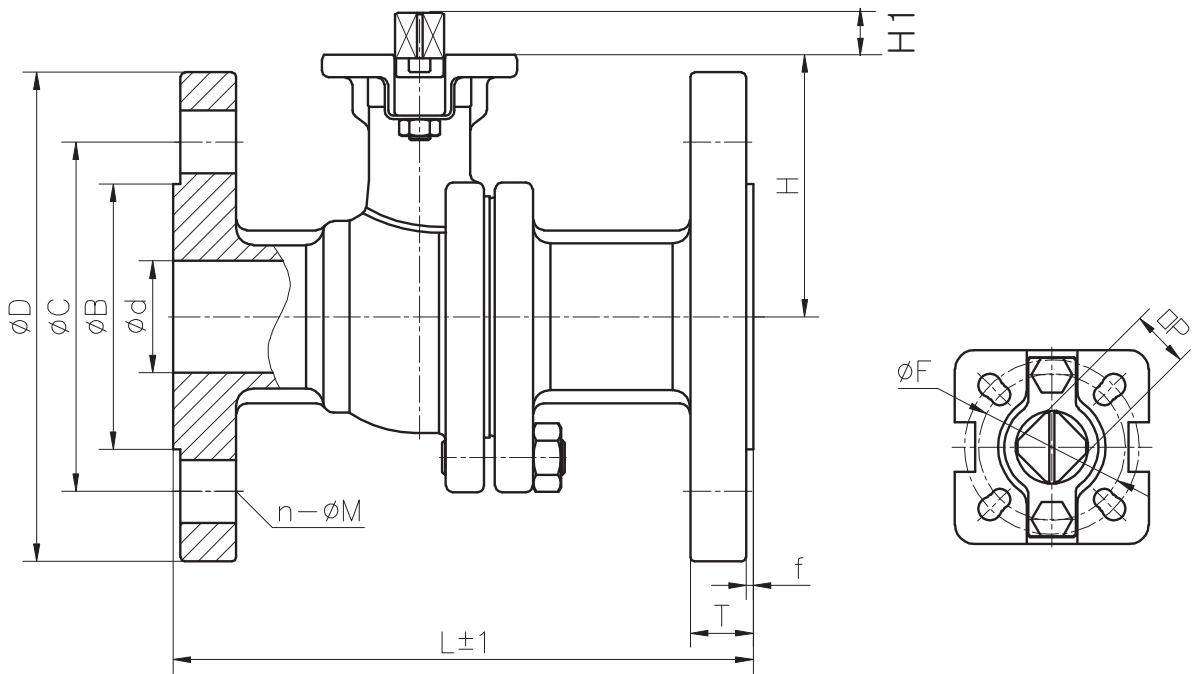


Lockable handle with stopper available

**COMPONENTS AND MATERIALS**

Code	Name	
1	Body	ASTM A351 Gr CF8M
2	End Cap	ASTM A351 Gr CF8M
3	Ball	SS316
4	Seat	RPTFE
5	Gasket	RPTFE
6	Stem	SS316
7	Bolt	SS304
8	Nuts	SS304
9	Pyramidal stem seal	PTFE
10	O Ring	Viton
11	V-Ring Stem Packing	PTFE
12	Gland	SS304
13	bolt	SS304
14	nuts	SS304
15	Anti-stactic device	SS304

**2 Pieces Flanged Full Port Ball Valve  
with ISO 5211 Direct Mount Pad CF8M**

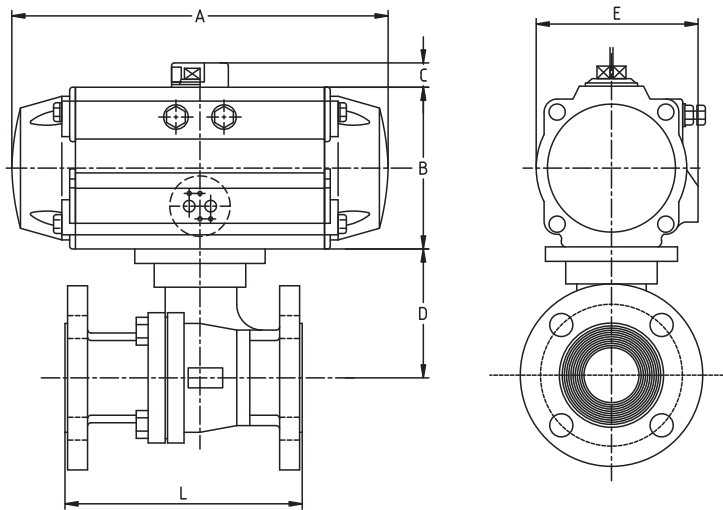


**ANSI CLASS 150**

Dimension(mm), Torque(Nm)&Weight(Kgs)

FIG	SIZE	d	B	C	D	T1	f	H	H1	L	F	P	n-M	Torque	Weight	
S098 04	1/2"	15	34.9	60.3	90	8	2	48	9	108	F03	F04	9*9	4-Φ16	11	1.7
S098 05	3/4"	20	42.9	69.9	100	8.9	2	53	9	117	F03	F04	9*9	4-Φ16	11	2.2
S098 06	1"	25	50.8	79.4	110	9.6	2	58	11	127	F03	F05	11*11	4-Φ16	14	2.9
S098 07	1 1/4"	32	63.5	88.9	115	11.2	2	62	11	140	F03	F05	11*11	4-Φ16	16	3.7
S098 08	1 1/2"	38	73	98.4	125	12.7	2	75	14	165	F05	F07	14*14	4-Φ16	22	5.5
S098 09	2"	50	92.1	120.7	150	14.3	2	85	14	178	F05	F07	14*14	4-Φ19	29	8
S098 10	2 1/2"	65	104.8	139.7	180	15.9	2	104	17	190	F07	F10	17*17	4-Φ19	56	13
S098 11	3"	78	127	152.4	190	17.5	2	114	17	203	F07	F10	17*17	4-Φ19	80	17.5
S098 12	4"	98	157.2	190.5	230	22.3	2	135	19	229	F07	F10	19*19	8-Φ19	120	28
S098 14	6"	150	216.3	241.5	280	23.9	2	201	27	394	F10	F12	27*27	8-Φ22	160	65
S098 15	8"	200	270	280.5	345	27	2	245	27	457		F12	27*27	8-Φ22	380	100

## 2 Pieces Flanged Full Port Ball Valve with ISO 5211 Direct Mount Pad CF8M



### DOUBLE ACTING ACTUATED

Main Dimension( mm)

ITEM	SIZE	SP	A	B	C	E	L	D
S098D 04	1/2"	63	168	85	20	83	108	48
S098D 05	3/4"	63	168	85	20	83	117	53
S098D 06	1"	63	168	85	20	83	127	58
S098D 07	1 1/4"	75	219	102.5	20	95.5	140	62
S098D 08	1 1/2"	75	219	102.5	20	95.5	165	75
S098D 09	2"	90	249	115	20	105.5	175	85
S098D 10	2 1/2"	100	274	127.5	20	122	190	104
S098D 11	3"	115	315	140	30	132.5	203	114
S098D 12	4"	125	355	156.5	30	150	229	135
S098D 14	6"	125	355	156.5	30	150	394	201
S098D 15	8"	160	452	196	30	185	457	245

### SINGLE ACTING ACTUATED

Main Dimension( mm)

ITEM	SIZE	SP	A	B	C	E	L	D
S098S 04	1/2"	75	219	102.5	20	95.5	108	48
S098S 05	3/4"	75	219	102.5	20	95.5	117	53
S098S 06	1"	75	219	102.5	20	95.5	127	58
S098S 07	1 1/4"	90	249	115	20	105.5	140	62
S098S 08	1 1/2"	90	249	115	20	105.5	165	75
S098S 09	2"	100	274	127.5	20	122	175	85
S098S 10	2 1/2"	115	315	140	30	132.5	190	104
S098S 11	3"	145	417	176	30	169.5	203	114
S098S 12	4"	160	452	196	30	185	229	135
S098S 14	6"	190	540	231	30	215	394	201
S098S 15	8"	210	585	253	30	235	457	245

Pneumatic Actuators are selected with 5 bar air supply.



**SIO**  
Valves & Automation

Authorized distributor

#### **IMPORTANT NOTICE**

- Data listed in the catalog, including dimensions, weights, specifications and other valve related data are intended to provide general information and guidance only.
- SIO valve assumes no responsibility for errors or inadequacy relevant to any information provided in this catalog. Any information provided in this catalog is subject to change without notice.
- SIO Valve reserves the right to change designs, materials, or specifications without notice or without obligation to furnish or install such changes on products previously or subsequently sold.